
GPS Tracker

Manual

Model:FK60



Preface

Thank you for purchasing the tracker. This manual shows how to operate the device smoothly and correctly. Make sure to read this manual carefully before using this product. Please note that specification and information are subject to changes without prior notice in this manual. Any change will be integrated in the

latest release. The manufacturer assumes no responsibility for any errors or omissions in this document.

1. Summary

Working Based on existing GSM/GPRS network and GPS satellites, this product can locate and monitor any remote targets by SMS or internet. The most advanced technology of GPS and AGPS dual positioning.

2. Applications

- Vehicle rental / Fleet management etc
- Protect car / vehicle/ truck/ taxi/motorcycle and so on
- Provide peace-of-mind for businessmen

3. Main features:

GSM 850/900/1800/1900 Quad band
 Wide for voltage input range:9-75v
 GPS continuous positioning, GPRS timing interval
 Check location via SMS
 Built-in vibration sensor , theft proof
 ACC ignition detection
 Tele-cutoff (petrol/ electricity) function
 Overspeed alert
 SOS alert
 Geo-fence alert
 Vibration alert
 Voice monitor function
 Angle alert GPRS reports
 GSM blind area storage:8M bit flash
 Google map link by SMS
 Alert when power supply disconnected
 Every kinds of reports on platform/Smartphone App

4. Specs.

Detail	Specifications
Size	105mm x 60mm x 20mm
Weight	110g
Network	GSM/GPRS/GPS
GSM	850/900/1800/1900Mhz
GPS Chip	SIMTK6260
GPS Sensitivity	-159dBm
GPS Precision	10m
GPS locating time	Cold start 45S Warm start 35S Hot start 1S
Working Voltage	10V---75V
Built-in Battery	3.7V 300mAH
Data storage	8M bit
Stand-by Time	2 hours (The specific time long myopia GSM network conditions)
Storage temperature	-40C to +85C

Working temperature	-20C to +55C
Wet degree	5%--95% non-condensing

5. Installation

5.1 SIM card installation

- 1). Open the cover
- 2). Push back the cover



1)

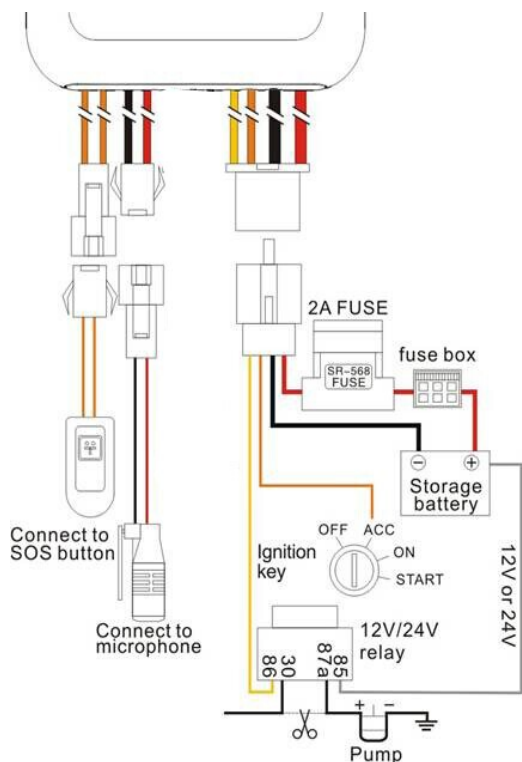


2)



3)

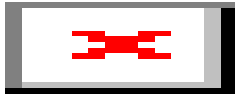
5.2 Installation of cables, Led status meanings:



Spec	Color	Instruction
Keypod	Orange	Connect to SOS button
MIC-,MIC+	Black/ red	Connect to Microphone
GND	Black	Ground wire
Motor	Yellow	Control line of relay
ACC	Orange	Connect to ACC ignition
Power+-	Black(thick)	Vehicle 12V/24V negative
Power-	Red(thick)	Vehicle 12V/24V positive

Green LED: GPRS/GSM working status	
Status	Meaning
flashing	GSM / GPRS signal fine
On	No/Searching GSM signal
off	GPS power off/In sleep

Blue LED: GPS working status	
flashing	GPS signal Fine
on	No/Searching GPS signal
off	GPS power off/In sleep
Red LED: System status	
flashing	Normal
On	Not normal
off	Not normal



6.Startup

3)SMS meanings:

1.Google link: URL

2.V:A GPS signal ok. **V:V** :No GPS signal

3.2014-04-18 02:17:15:GPS Time

4.S:000km/h: Speed of tracker

5.Acc:off :Ingition of acc is off

6.ID:4102000759: ID Number of GPS

7.Operations (Default password: 123456)

7.1 Set admin phone number:

1).Add admin number:

SMS format: admin123456 0086138*****

Note1:There is one space between password(123456) and phone number(0086138*****).If set successfully the unit will reply “admin ok!” in SMS.

Note2:Note:country code should be added in front of phone number

2).Delete admin number:

SMS format:noadmin123456 phonenumber

Example:noadmin123456 13510460105

Reply sms: noadmin ok

7.2 Change password

SMS format: password+old password+space+new password

Example: password123456 666888 it will reply sms: “password OK”

(Note:password should be 6 digits Arabic numbers.There is one space between new&old passwords)

7.3.Track on demand:

SMS format:G123456#

1).GPS Set with admin numbers: when admin numbers dials up the unit, tracker device will reply by sms,It wont reply to other numbers

2).GPS without admin numbers: Any cellphone dial up the GPS simcard,tracker device will reply by sms locations information .

7.3.Track by GSM Location(Only for admin phone,default:closed)

Command to open :addjz=1

Command to close :addjz=0

7.4 GPRS Tracking on platform

1).Set Local APN:

Set APN: apn123456+space+apn

Example:apn123456 cmnet

APN username: apnuser123456+space+username

Example:apnuser123456 unireach

APN password: apnpassword123456+ space+password

Example:apnpassword123456 888888

2).Set IP/Port of server:

SMS format: adminip123456+space+IP(xxx.xxx.xxx.xxx)+port

Example: adminip123456 113.10.245.151 8083

3).Add ID/IMEI to platform:

Send ID/IMEI to us,so we will add that to our platform and provide account based on website platform.

8.0.Commands List:

Feature name	Active Command	Reply	Cancel other format) Command	Reply
Add admin number	admin123456 0086138**** (Note:country code needed in front of phone number,there is one space between password and phone number)	Admin ok	noadmin123456 008618****	noadmin ok
Change password	password123456 666888	password OK	(There is one space between new&old passwords)	
Inquiry Location	G123456#	Google map link	Click on google map link to get location on map	
Overspeed	speed123456 80 (50~120 km/h)	speed ok (80km/h)	nospeed123456	nospeed ok
Move alarm	move123456 500 (100~5000m)	move ok	nomove123456	nomove ok
External power cut off alert	pwr1 (To open,default:open)	Auto arm by external power supply: ON/OFF	pwr0 (To close this function)	Auto arm by external power supply: ON/OFF
Voice monitor	222	Admin phone send 222 to tracker,then tracker will call back the admin number.		

Arm	111	Armed ok	000	Disarmed ok
Engine cut off	666	Cut oil ok	555	Resume oil ok
Restart Device	RST	GPS will restart	factory	changed be factory setting
Add sos number	SOS123456 0086138**** (There is one space between password&phone no,country code needed)	SOS number ok	nosos123456	Nosos ok
Open GSM locate	addjz=1	Open GSM locate function	addjz=0	Close GSM locate function
Set Ip and port	adminip123456 113.10.245.151 8083		adminip ok	
Set APN	apn123456 cmnet	APN OK	apnuser123456 user apnpassword123456 apnpassword	APN OK
GPRS interval time (moving)	run,20 (10~300 seconds)	Set interval reports time	stop,180 (stop status,GPRS time)	upload ok
Time Zone	timezone123456 2	Time ok	timezone123456 -3	Time ok
Language	LAG1	Switched to English	LAG2	Switched to Chinese

9.0 Cautions

9.1 Keep the unit dry. Any liquid, i.e. rain, moisture, may destroy or damage the inside circuitry.

9.2 Don't use & store the unit in dusty places.

9.3 Don't put the unit in overheated or overcooled places.

9.4 Handle carefully. Don't vibrate or shake it violently.

9.5 Clear the unit with a piece of dry cloth. Don't clean in chemicals, detergent.

9.6 Don't paint the unit, this may cause some foreign materials left in between the parts.